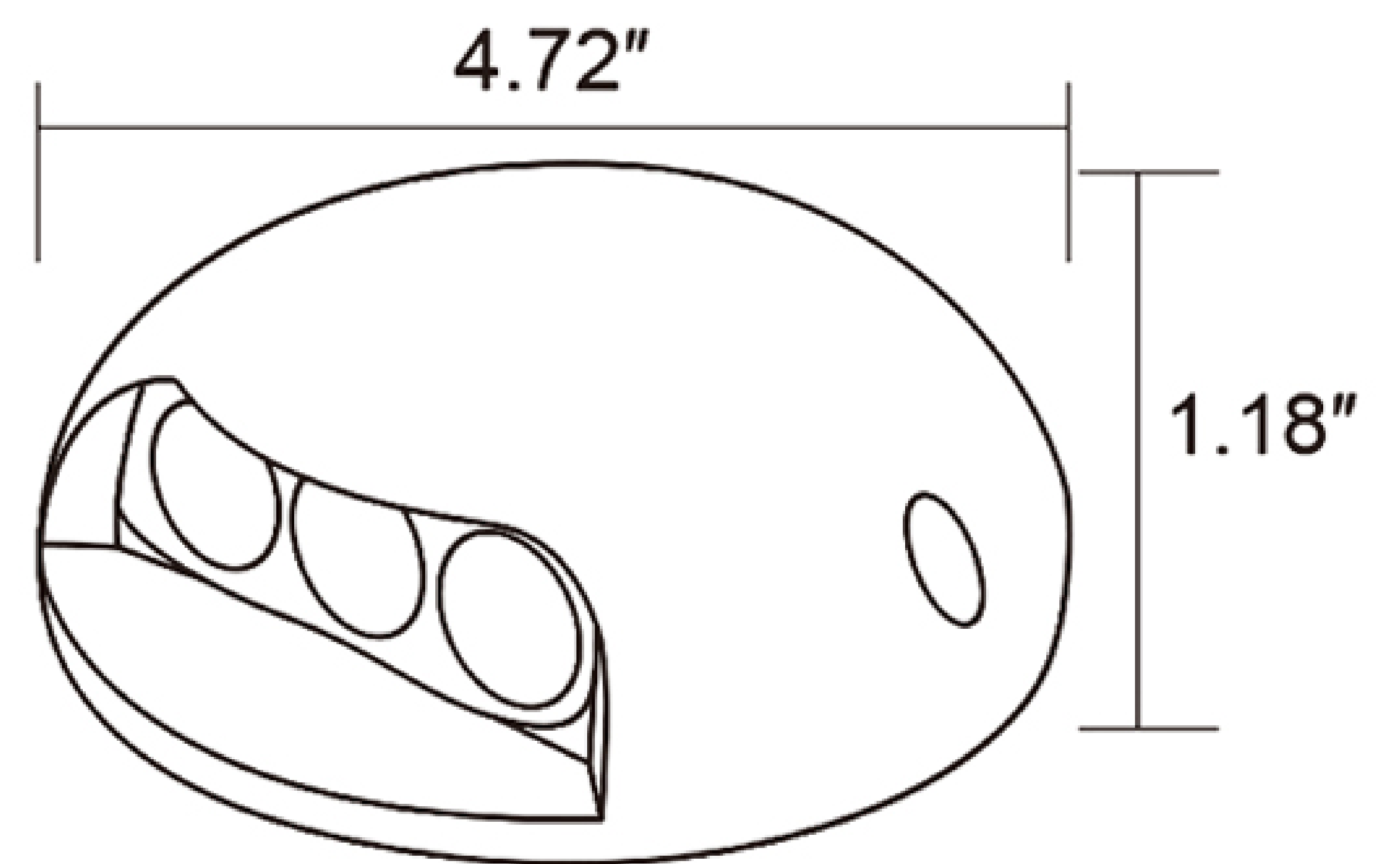


## DECK LIGHTING



### Key Features

- Durable aluminum body
- Suit for damp location
- Frosted glass lens give soft illumination
- Field replaceable lamp
- Widely application, for Dect/Pation/Steps/ Garden Lighting

### Product Spec

- Material: Aluminum
- Lens: Heat Resistant Glass Lens
- Socket: Bi Pin
- Lamp: G4 ( not included )
- Voltage: 12V AC/DC
- Lead Wire: 6FT
- Warranty: 5 Years